



Electrolux
PROFESSIONAL

**Modular Cooking Range Line
900XP Electric Grill Top HP
1200mm**

ITEM # _____

MODEL # _____

NAME # _____

SIS # _____

AIA # _____



391348 (E9GRELGS0P) Large electric Grill Top - HP

Short Form Specification

Item No. _____

Heating via incoloy armoured heating elements positioned under the cooking grid. Cooking surface grids are easily removable for cleaning. Heating elements can be tilted. Integrated water tap. Fixed well with drain. Extra strength work top in heavy duty 2 mm stainless steel. Right-angled side edges to allow flush-fitting junction between units. WRAS compliant. 380-400 V.

Main Features

- Incoloy armoured heating elements positioned under the cooking grid.
- Each bank of elements has an independent power regulation through a control knob.
- Power indicator light.
- Heating elements tilt 90° for easy cleaning.
- Removable 2mm thick steel U-shaped grids in AISI 441 stainless steel for fast heating of cooking surface.
- Fixed well with drain to collect residual cooking juices and grease.
- Large drain protected by overflow and filter.
- Water must be added to well before operation.
- Led warning indicator to give an alarm when well is empty.
- Water filling tap with knob control.
- Removable stainless steel deflectors to recuperate heat and reduce cooking time.
- Stainless steel splash guards on sides of cooking surface. Splash guards can be easily removed for cleaning.
- Top configuration allows installation on ambient base or refrigerated/freezer base.
- Suitable for countertop installation.

Construction

- Model has right-angled side edges to allow flush fitting joints between units, eliminating gaps and possible dirt traps.
- AISI 304 stainless steel worktop, 2mm thick.
- All exterior panels in Stainless Steel with Scotch Brite finishing.
- Unit is 930 mm deep to give a larger working surface area.

APPROVAL: _____



Experience the Excellence
www.electroluxprofessional.com

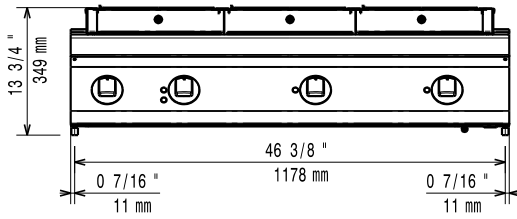
Included Accessories

- 1 of Scraper for HP electric grill PNC 206436

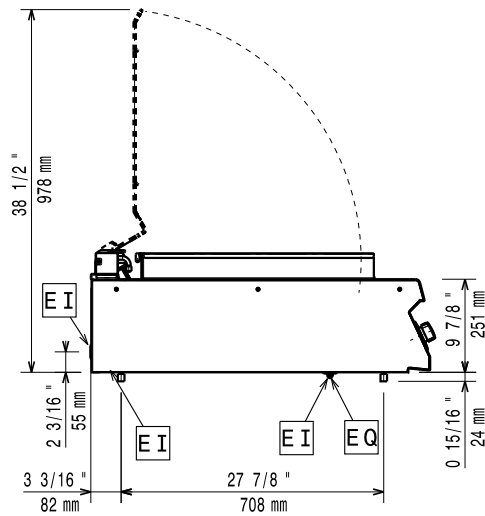
Optional Accessories

- Junction sealing kit PNC 206086
- Flanged feet kit PNC 206136
- Support for bridge type installation, 1200mm PNC 206139
- Support for bridge type installation, 1400mm PNC 206140
- Support for bridge type installation, 1600mm PNC 206141
- Scraper for HP electric grill PNC 206436
- Drain extension for Electric grill HP PNC 206437
- Side handrail-right/left hand (900XP) PNC 216044
- Frontal handrail, 1200mm PNC 216049
- Frontal handrail, 1600mm PNC 216050
- 2 side covering panels for top appliances PNC 216278

Front

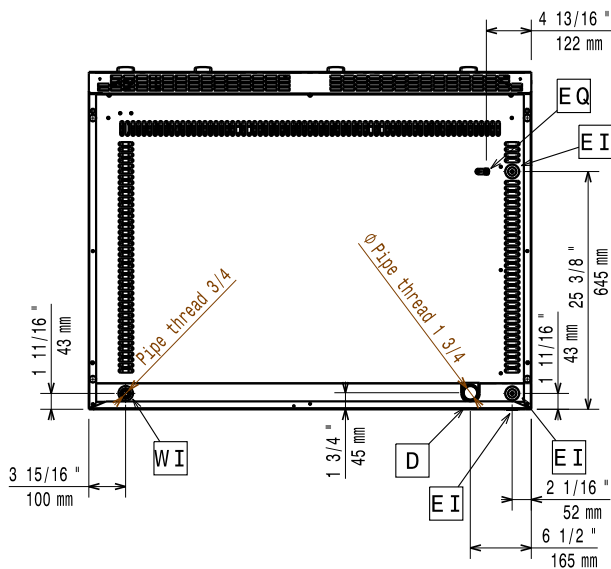


Side



- D = Drain
- EI = Electrical inlet (power)
- EQ = Equipotential screw
- WI = Water inlet

Top



Electric

Supply voltage:	380-400 V/3N ph/50/60 Hz
Electrical power max.:	17.4 kW
Predisposed for:	380-400V 3N~ 50/60Hz 16,2-17.4kW

Key Information:

If appliance is set up either next to or against temperature sensitive furniture or similar, a safety gap of approximately 150 mm should be maintained or some form of heat insulation fitted.

External dimensions, Width:	1200 mm
External dimensions, Depth:	930 mm
External dimensions, Height:	250 mm
Net weight:	143 kg
Certification group:	HEG9E3
Cooking surface width:	1065 mm
Cooking surface depth:	598 mm